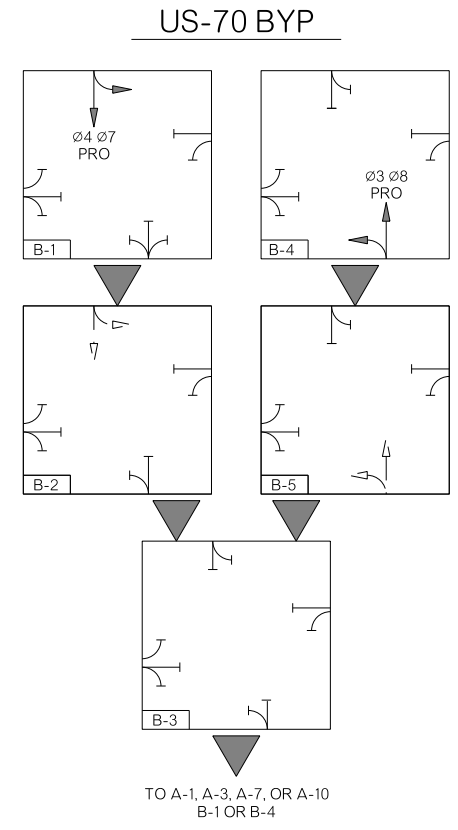
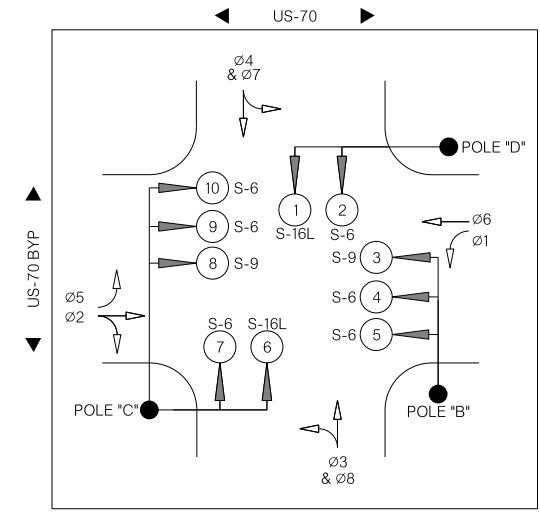
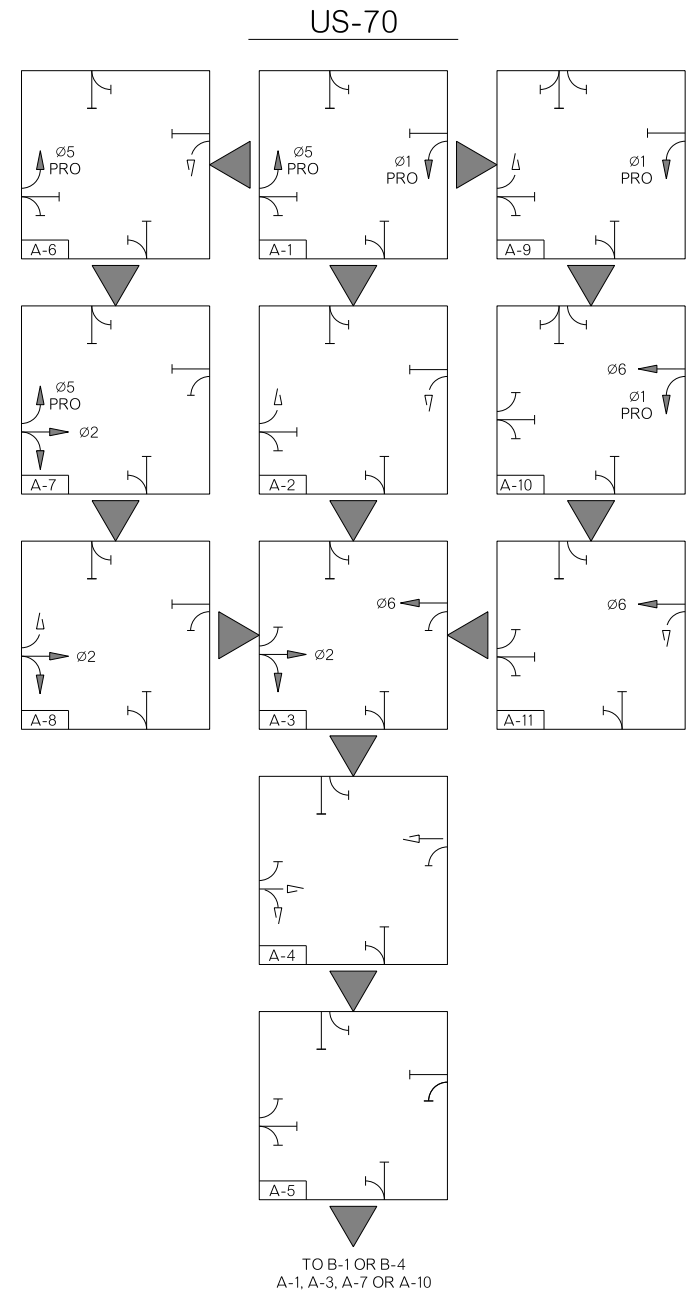


REVISIONS		
REV. NO.	DESCRIPTION	DATE



SEQUENCE											
BLOCK NO.	PHASE DESIGNATION	SIGNAL HEAD NUMBER									
		1	2	3	4	5	6	7	8	9	10
A-1	$\varnothing 1$ & $\varnothing 5$ ROW	R	R	G	R	R	R	R	G	R	R
A-2	$\varnothing 1$ & $\varnothing 5$ CL	R	R	Y	R	R	R	R	Y	R	R
A-3	$\varnothing 2$ & $\varnothing 6$ ROW	R	R	R	G	G	R	R	R	G	G
A-4	$\varnothing 2$ & $\varnothing 6$ CL	R	R	R	Y	Y	R	R	R	Y	Y
A-5	ALL RED	R	R	R	R	R	R	R	R	R	R
A-6	$\varnothing 1$ CL, $\varnothing 5$ ROW	R	R	G	R	R	R	R	Y	R	R
A-7	$\varnothing 2$ & $\varnothing 5$ ROW	R	R	G	G	G	R	R	R	R	R
A-8	$\varnothing 2$ ROW, $\varnothing 5$ CL	R	R	Y	G	G	R	R	R	R	R
A-9	$\varnothing 1$ ROW, $\varnothing 5$ CL	R	R	Y	R	R	R	R	G	R	R
A-10	$\varnothing 1$ & $\varnothing 6$ ROW	R	R	R	R	R	R	R	G	G	G
A-11	$\varnothing 1$ CL, $\varnothing 6$ ROW	R	R	R	R	R	R	R	Y	G	G
B-1	$\varnothing 4$ & $\varnothing 7$ ROW	R	R	R	R	R	G/G	G	R	R	R
B-2	$\varnothing 4$ & $\varnothing 7$ CL	R	R	R	R	R	Y	Y	R	R	R
B-3	ALL RED	R	R	R	R	R	R	R	R	R	R
B-4	$\varnothing 3$ & $\varnothing 8$ ROW	G/G	G	R	R	R	R	R	R	R	R
B-5	$\varnothing 3$ & $\varnothing 8$ CL	Y	Y	R	R	R	R	R	R	R	R
	FLASHING RED	FR	FR	FR	FR	FR	FR	FR	FR	FR	FR

LEGEND	
	GREEN
	YELLOW
	RED
PER	PERMISSIVE
PRO	PROTECTED

DIVISION 2 US-70B	MCCURTAIN COUNTY	DETAIL: JF 8/16
PHASING & SEQUENCE		CHECK: GF 8/16
		ENGINEER: KCD 8/16
STATE OF OKLAHOMA		DEPARTMENT OF TRANSPORTATION
JOBPIECE NO. 33075(56)		SHEET NO. T002